

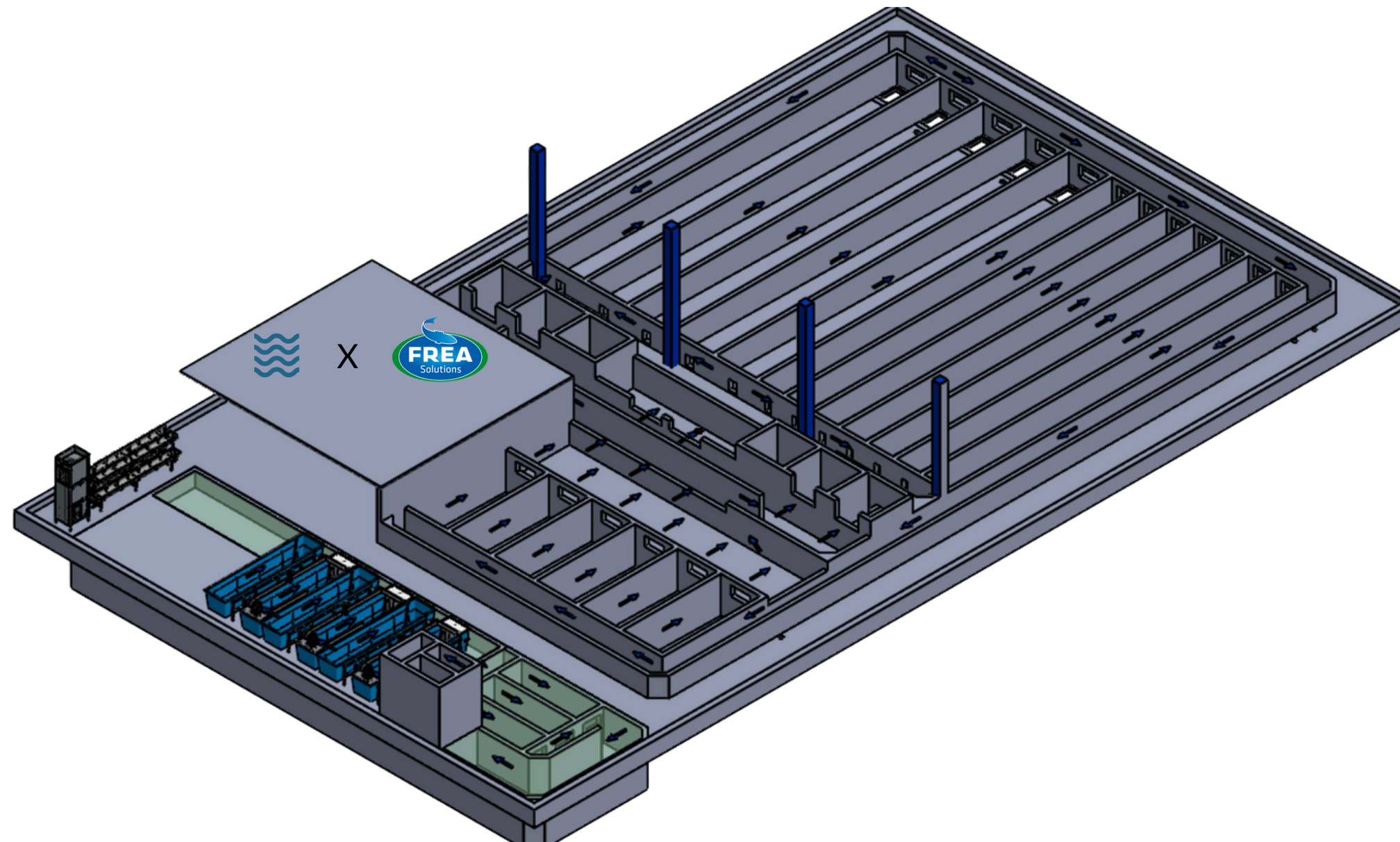
Recirculating Aquaculture Systems (RAS) in India

Making It Work at Scale and Profit



What Makes RAS Revolutionary?

Closed-loop, climate-controlled systems reusing up to 99% water.
Year-round production. Predictable yields close to urban markets

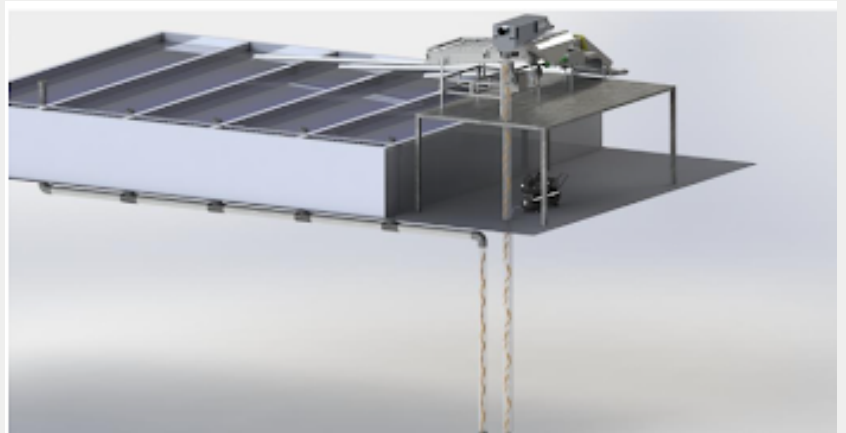




Our Farm

RAS facilities often struggle to achieve profitability at 400 MT production, our model is designed to operate at ~70% EBITDA from the start at **just 100 MT**

Exclusive fish pump grader



Hatchery



Start feeding



Grow outs



FREA Solutions

Blue Wave Aquaculture's Role

*Blue Wave Aquaculture aims to become India's benchmark for scalable, cost-efficient RAS trout farming – the farm others **partner** with, **learn** from, and most importantly **trust**.*

We have:

CapEx ~\$16/kg • OpEx ~\$3.3/kg • Target EBITDA ~70% • 16°C control • Full redundancy • Verified biofilters • Scalable to 400 tons by replicating identical lines.



Thank You

Let's make RAS work for every Indian farmer